



# Socket Accessory Installation

## Applies to: Patient Support Rails [9A561]

**Components:**  
**Sockets:**  
 Screws..... 2

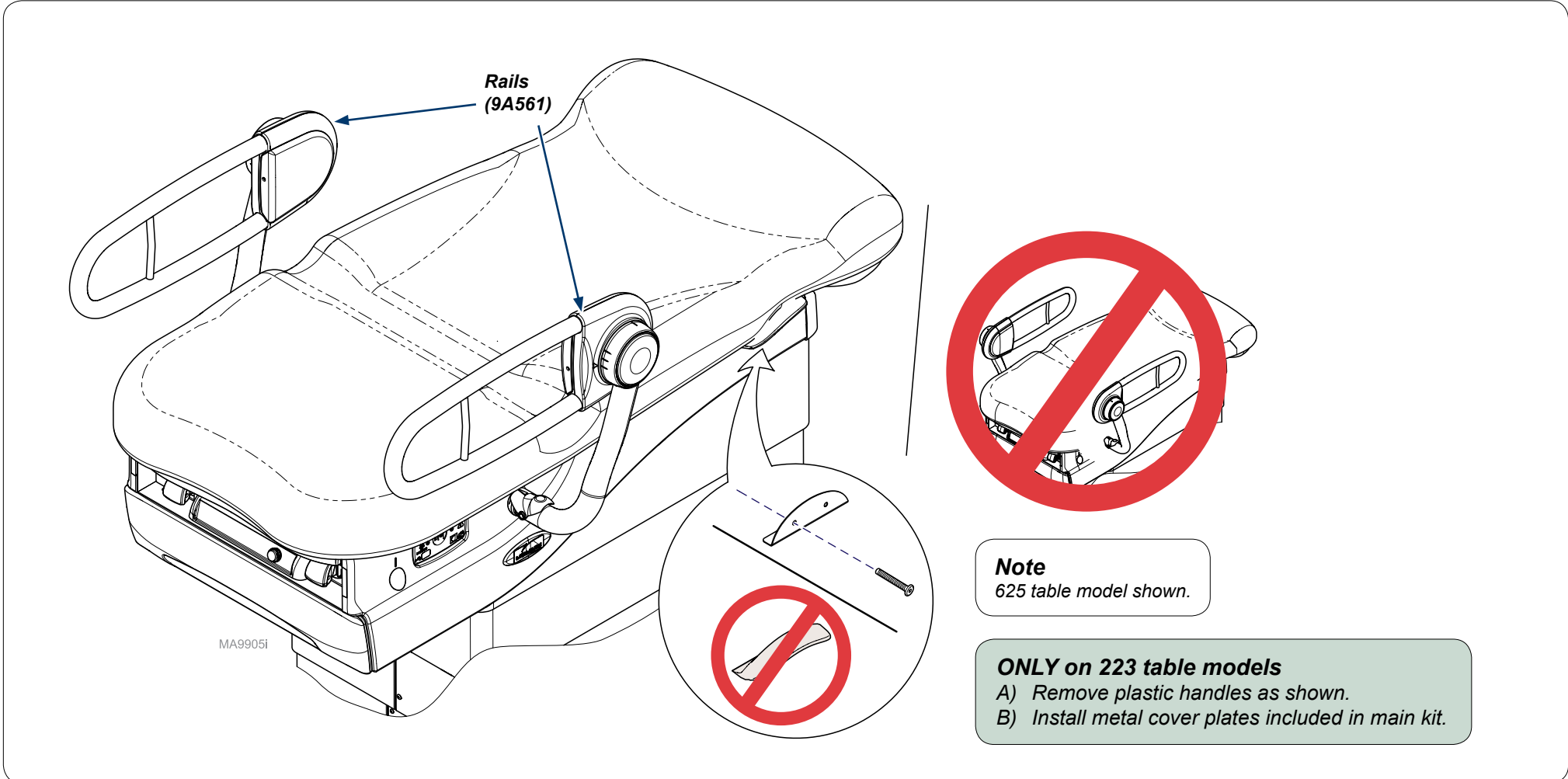
**Special Tools:**  
 none

**Intended Use:**  
 Assist patient mounting / dismounting table.

**Caution**  
 Kits 002-1809-xx-xxx (RH) and  
 002-1810-xx-xxx (LH)  
 only used for service and replacement parts.

**Equipment Alert**  
 Ensure rails do not appear uneven.  
 Rails should be horizontally straight.  
 Unevenly positioned rails may not be locked.

Conflict when patient support rails and 253-002 exam light mounted on model 625 or 222/223 tables. Use 253-003 exam light with extended spline mount instead.



TP200 Rev. A

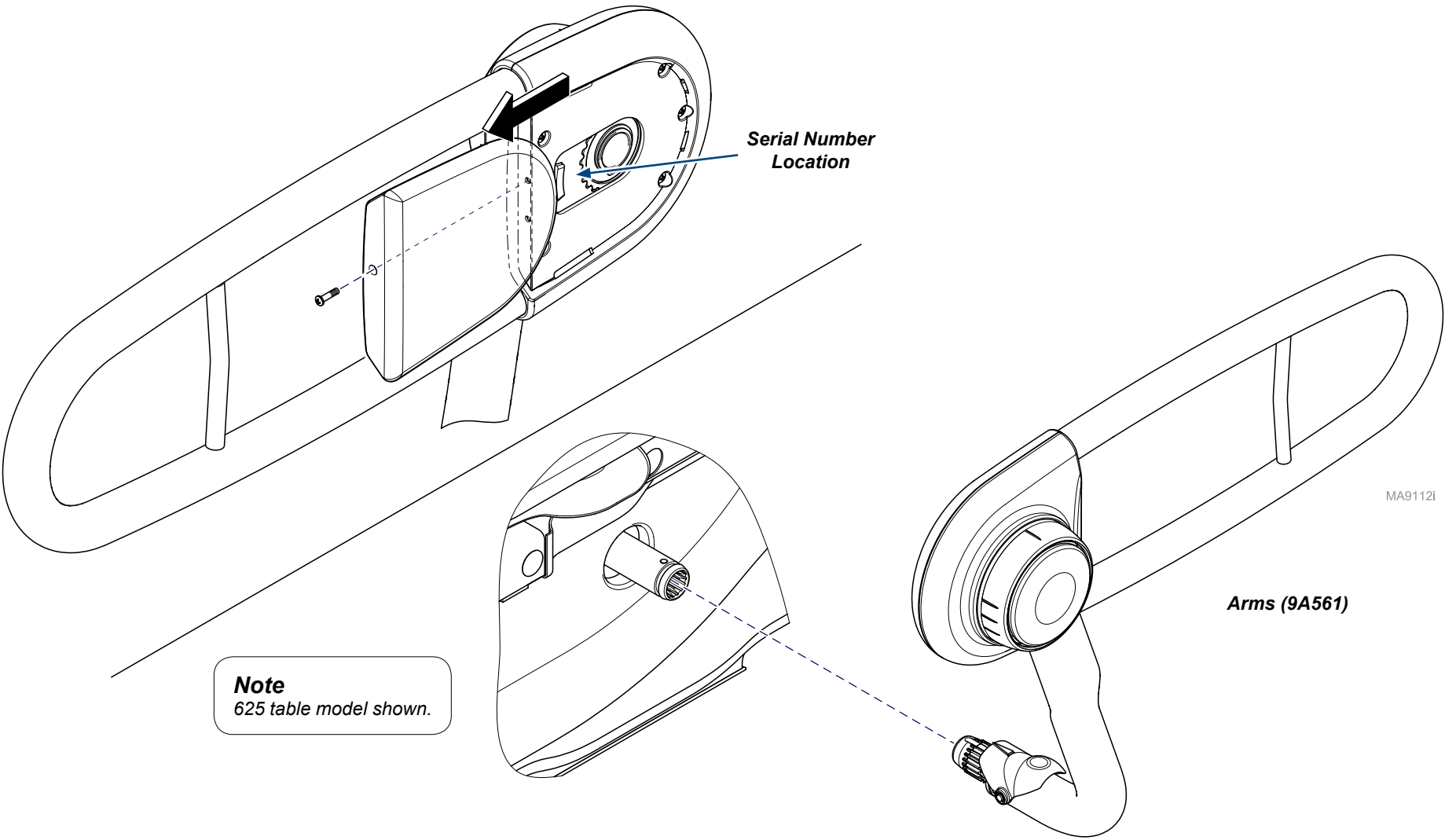
MA9905i

**To install accessory (continued)...**

A) Insert into socket until release level locks into place.

**To remove:**

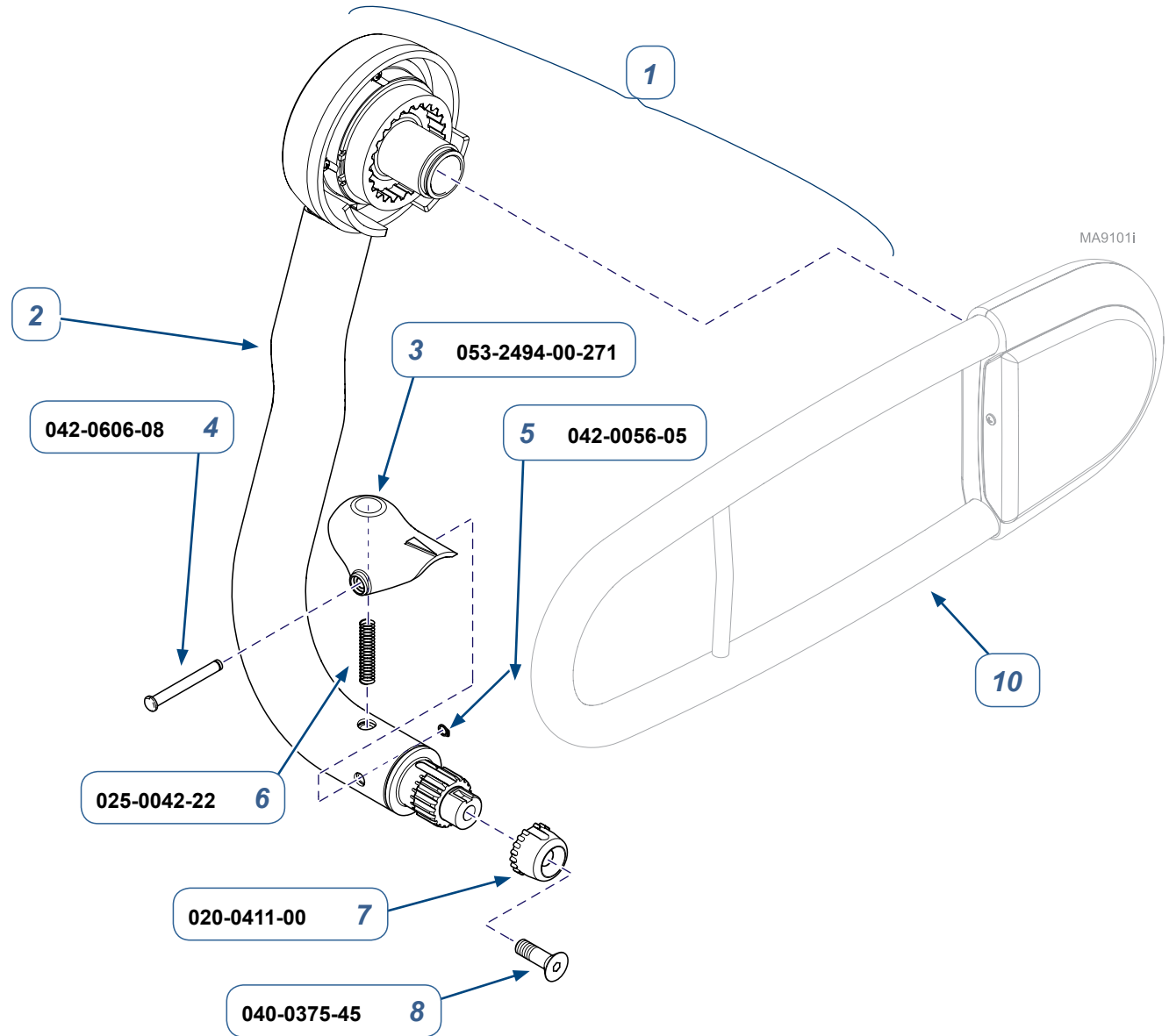
A) Squeeze clip, then pull accessory from socket.



TP200 Rev. A

**Note**

This listing continues on the next page.



**9A561 Patient Support Rail Assembly (LH/RH)  
- Part 1 (includes Items 1 - 19)**

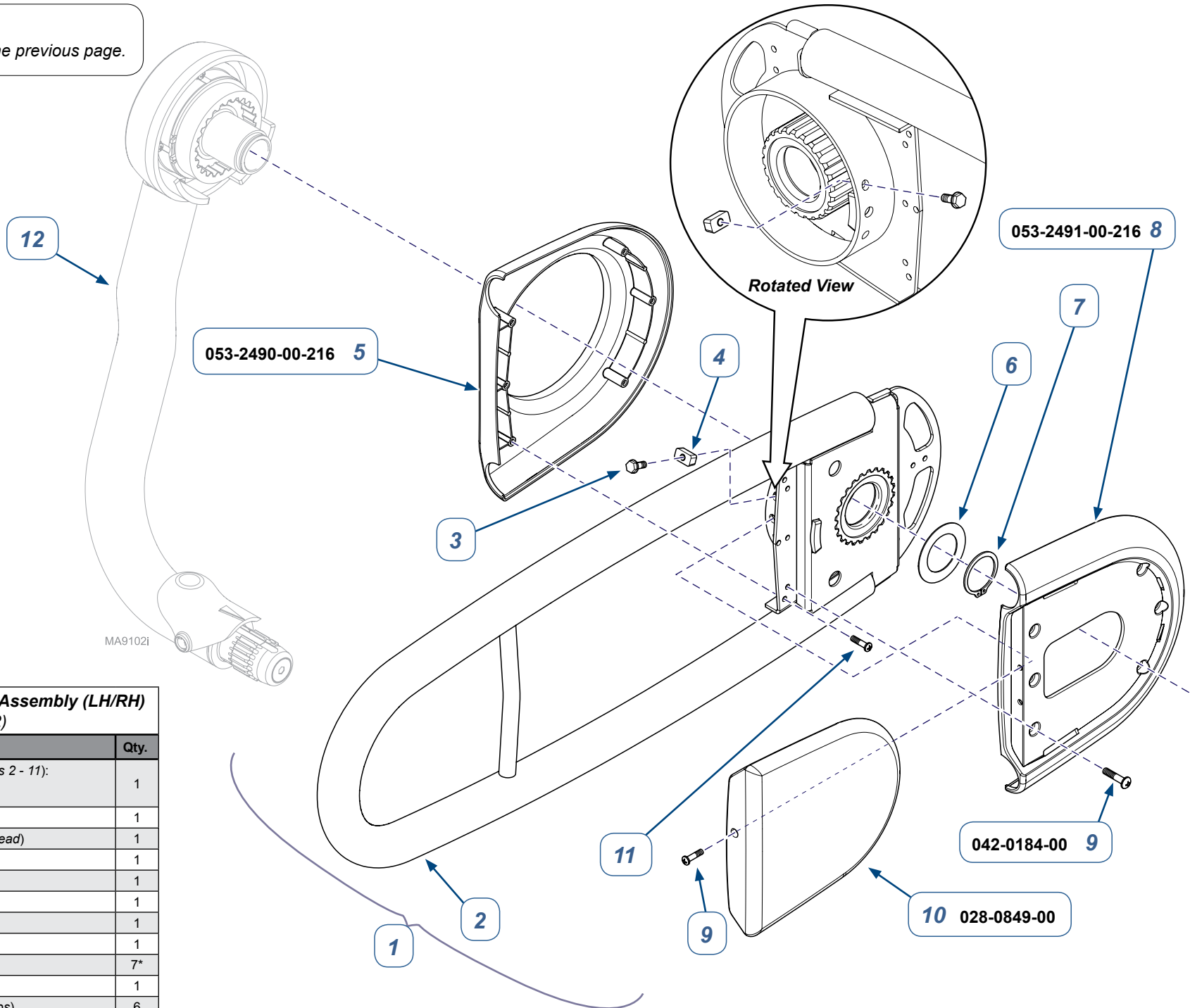
Item	Description	Qty.
1	• Rail Assembly (includes Items 2 - 17): RH - shown LH - not shown	1
2	• Vertical Tube A) RH - shown B) LH - not shown	1
3	• Clip	1
4	• Pin, Clevis	1
5	• Retaining Ring (1/4")	1
6	• Compression Spring	1
7	• Spud	1
8	• Screw (3/8")	1
9	• Lubricant (064-0015-00 - not shown)	AR
10	• Refer to <a href="#">Part 2 (next page)</a>	Ref
* Partial - Qty/Item Number also listed in Part 2		

<b>Serial Numbers / Dates:</b>	all
--------------------------------	-----

TP200 Rev. A

**Note**

This listing continues from the previous page.



**9A561 Patient Support Rail Assembly (LH/RH)  
- Part 2 (includes Items 1 - 12)**

Item	Description	Qty.
1	• Rail Assembly (includes Items 2 - 11): RH - shown LH - not shown	1
2	•• Siderail	1
3	•• Screw (Plain Hex Washer Head)	1
4	•• Stop	1
5	•• Outside Cover	1
6	•• Thrust Washer	1
7	•• Retaining Ring (1 1/4")	1
8	•• Inside Cover	1
9	•• Screw (Pan Head, Metric)	7*
10	•• Side Arm Pad	1
11	•• Screw (7/8" Pan Head Phillips)	6
12	•• Refer to <a href="#">Part 1 (previous page)</a>	Ref

\* Partial - Qty/Item Number also listed in Part 1

**Serial Numbers / Dates:**

all

TP200 Rev. A