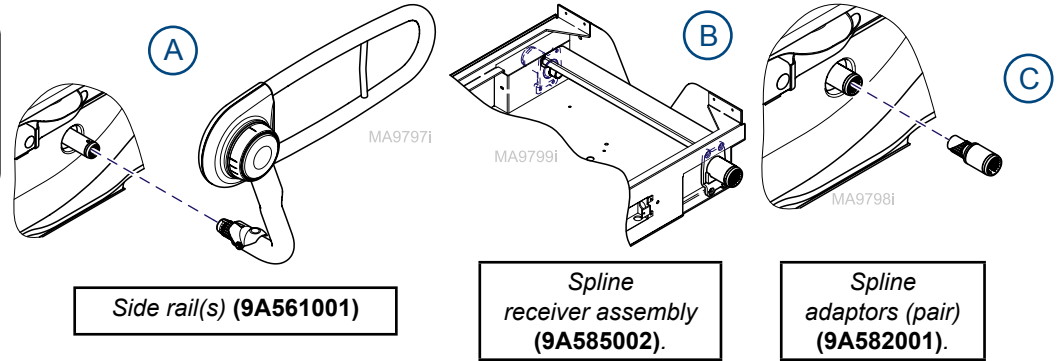


Patient Support Rails and Accessories (refer to Service Information and Accessories as needed):

Note

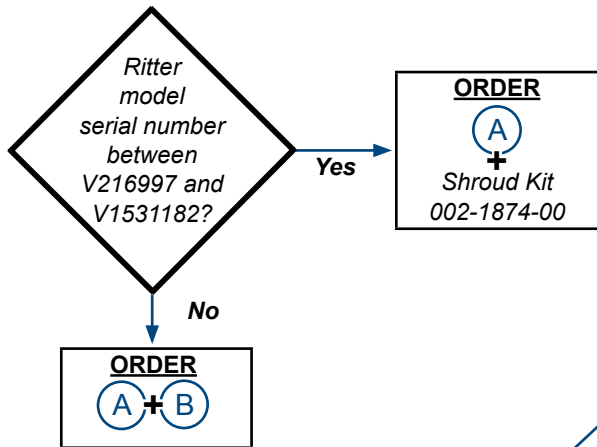
This chart can help the decision making process for ordering Patient Support Rails and Accessories. Patient Support spline has a larger diameter. Patient Support spline receiver assembly can also be ordered separate as needed. Contact service for part replacements.



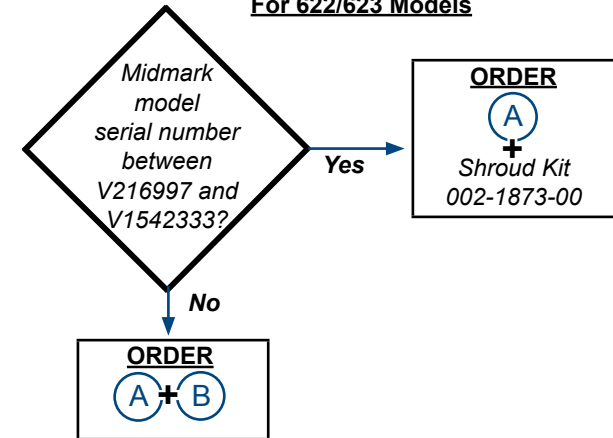
Equipment Alert

Conflict when patient support rails and 253-002 exam light mounted on model 625 or 222/223 tables. Use 253-003 exam light with extended spline mount instead.

For 222/223 Models



For 622/623 Models



For 625 Models

