

# HYDRAULIC PARTS

## Lift & Return Line Hydraulics - TL Mast

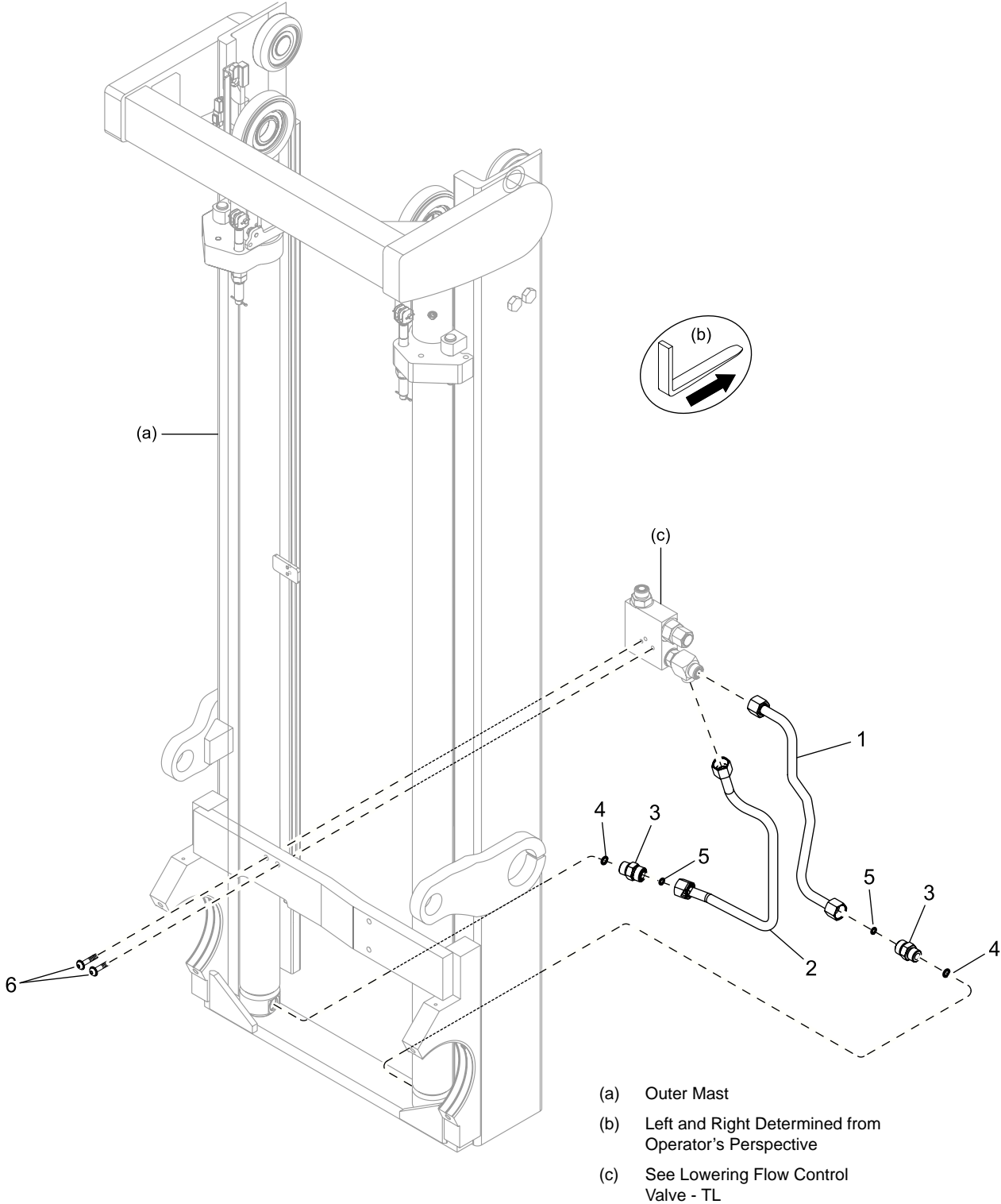


Figure 20659



# HYDRAULIC PARTS

## Lift & Return Line Hydraulics - TL Mast

---

INDEX	PART NUMBER	PART NAME	NUMBER REQUIRED
1	142181	RH Tube Assembly	1
2	142182	LH Tube Assembly	1
3	064279-001	Adapter	2
4	064019-045	O-Ring	2
5	064019-102	O-Ring	2
6	060063-011	Screw	2

Always Specify Model, Data & Serial Number