

# LIFTING MECHANISM PARTS

## Mast - TL



### Outer Mast

- (a) See Mast Cylinder - TL
- (b) See Lift Chain - TL
- (c) Torque 71 - 80 Nm (52 - 59 ft lb)

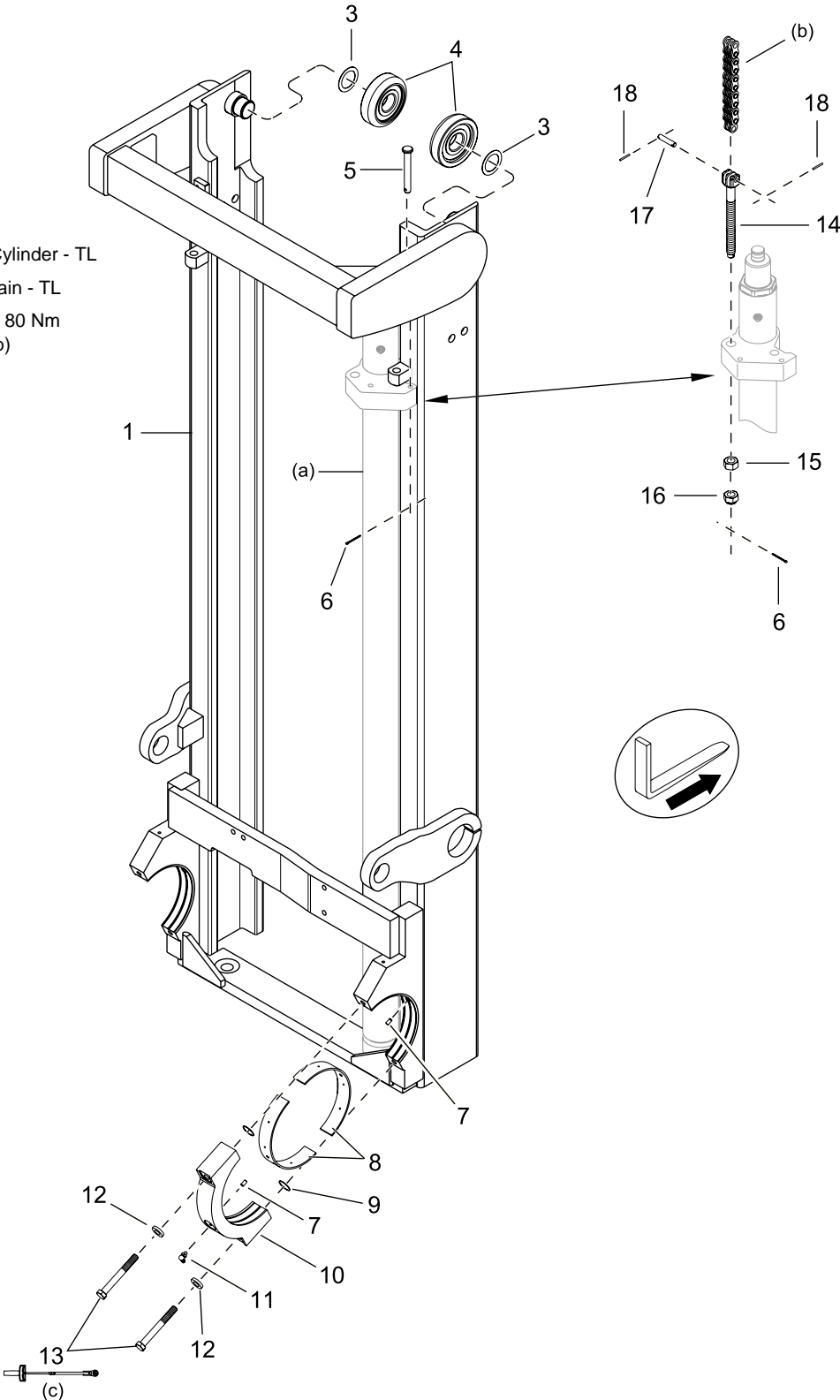


Figure 20573

INDEX	PART NUMBER	PART NAME	NUMBER REQUIRED
1.....	*(1).....	Outer Mast .....	1
2.....	064332-001.....	Lube Fitting .....	2
3.....	060030-085.....	Flatwasher.....	AR
4.....	074668-001.....	Column Roller .....	2
5.....	060121-001.....	Clevis Pin .....	2
6.....	060038-003.....	Cotter Pin .....	4
7.....	060122-001.....	Dowel Pin .....	4
8.....	128509 .....	Bearing .....	4
9.....	064019-049.....	O-Ring.....	4
10.....	128508 .....	Cap .....	2
11.....	064332-002.....	90° Lube Fitting.....	2
12.....	060030-187.....	Flatwasher.....	4
13.....	060115-004.....	Screw .....	4
14.....	131854-190.....	Chain Anchor .....	2
15.....	060059-022.....	Nut.....	2
16.....	060059-025.....	Nut.....	2
17.....	042906 .....	Chain Pin.....	2
18.....	060000-055.....	Roll Pin .....	4

(1) See Chart 1

\* To select appropriate part number, refer to truck data number.  
 The truck data number represents truck features.  
 Refer to Introduction.

Chart 1 – Outer Mast Index 1							
Truck Capacity*	Lift Height*		Index 1 Outer Mast	Truck Capacity*	Lift Height*		Index 1 Outer Mast
	mm	in			mm	in	
1815 kg (4000 lb), 2270 kg (5000 lb), or 2495 kg (5500 lb)	3200	126	141479-211-52	2720 kg (6000 lb)	2995	118	141479-211-62
	3505	138	141479-226-52		3300	130	141479-226-62
	3810	150	141479-241-52		3605	142	141479-241-62

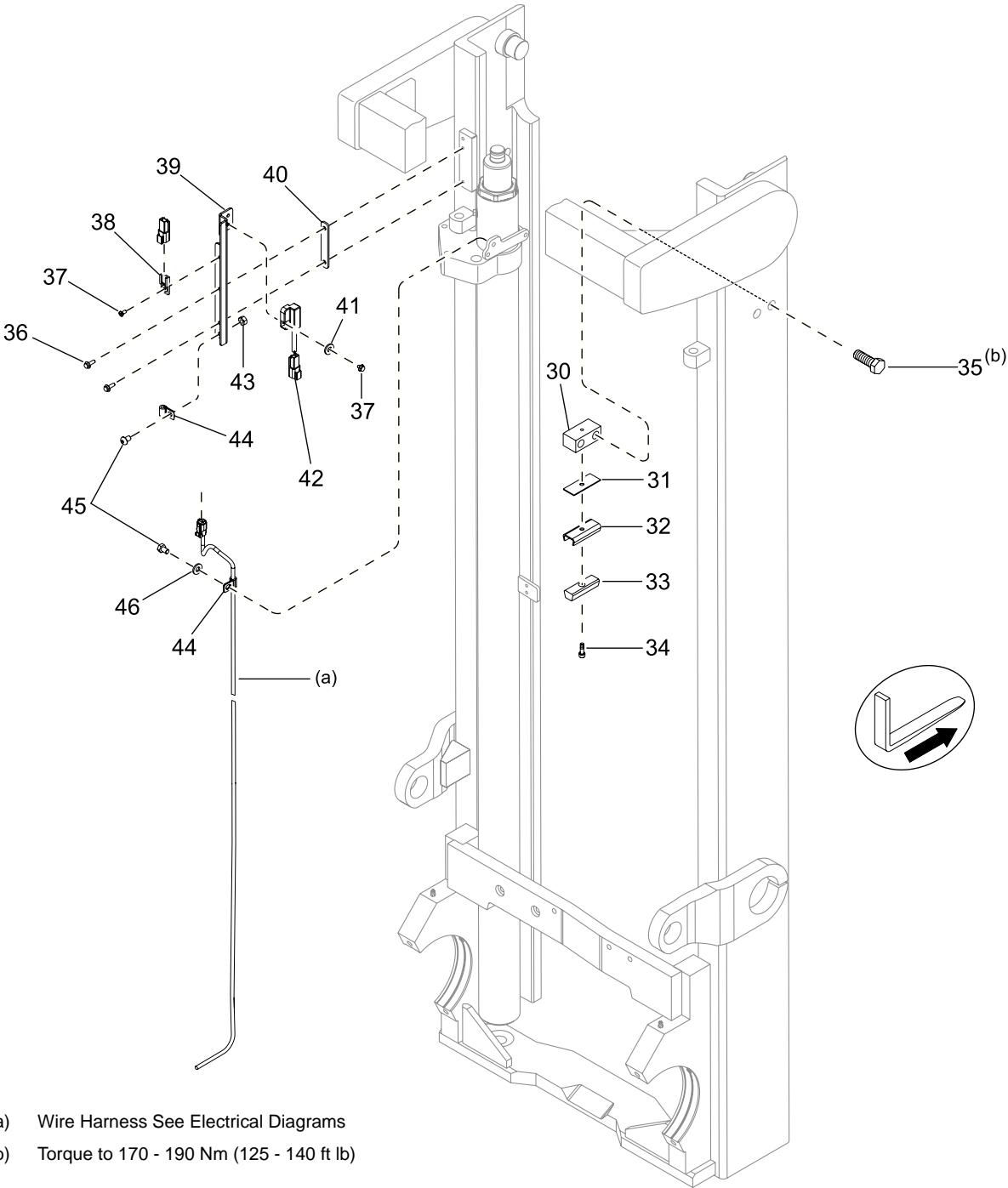
**Always Specify Model, Data & Serial Number**

# LIFTING MECHANISM PARTS

## Mast - TL



Outer Mast



(a) Wire Harness See Electrical Diagrams

(b) Torque to 170 - 190 Nm (125 - 140 ft lb)

Figure 20574

INDEX	PART NUMBER	PART NAME	NUMBER REQUIRED
30	129252	Stop Block	2
31	074481-001	Shim	AR
32	107563-001	Bracket	2
33	092747-001	Poly Stop	2
34	060062-005	Screw	2
	061004-006	Thread Locking Adhesive	AR
35	060117-005	Screw	4
	061004-006	Thread Locking Adhesive	AR
36	060061-013	Screw	2
37	060061-011	Screw	2
38	062749-001	Attachment Clip	1
39	144023	Bracket	1
40	144024	Shim	AR
41	060030-217	Flatwasher	1
42	062874	Proximity Sensor	1
43	060059-001	Nut	1
44	061002-026	Harness Clamp	2
45	060063-030	Screw	2
46	060030-052	Flatwasher	1
	061003-005 <sup>(1)</sup>	Tie Cable	1

(1) Not Shown

Always Specify Model, Data & Serial Number

# LIFTING MECHANISM PARTS

## Mast - TL



### Inner Mast

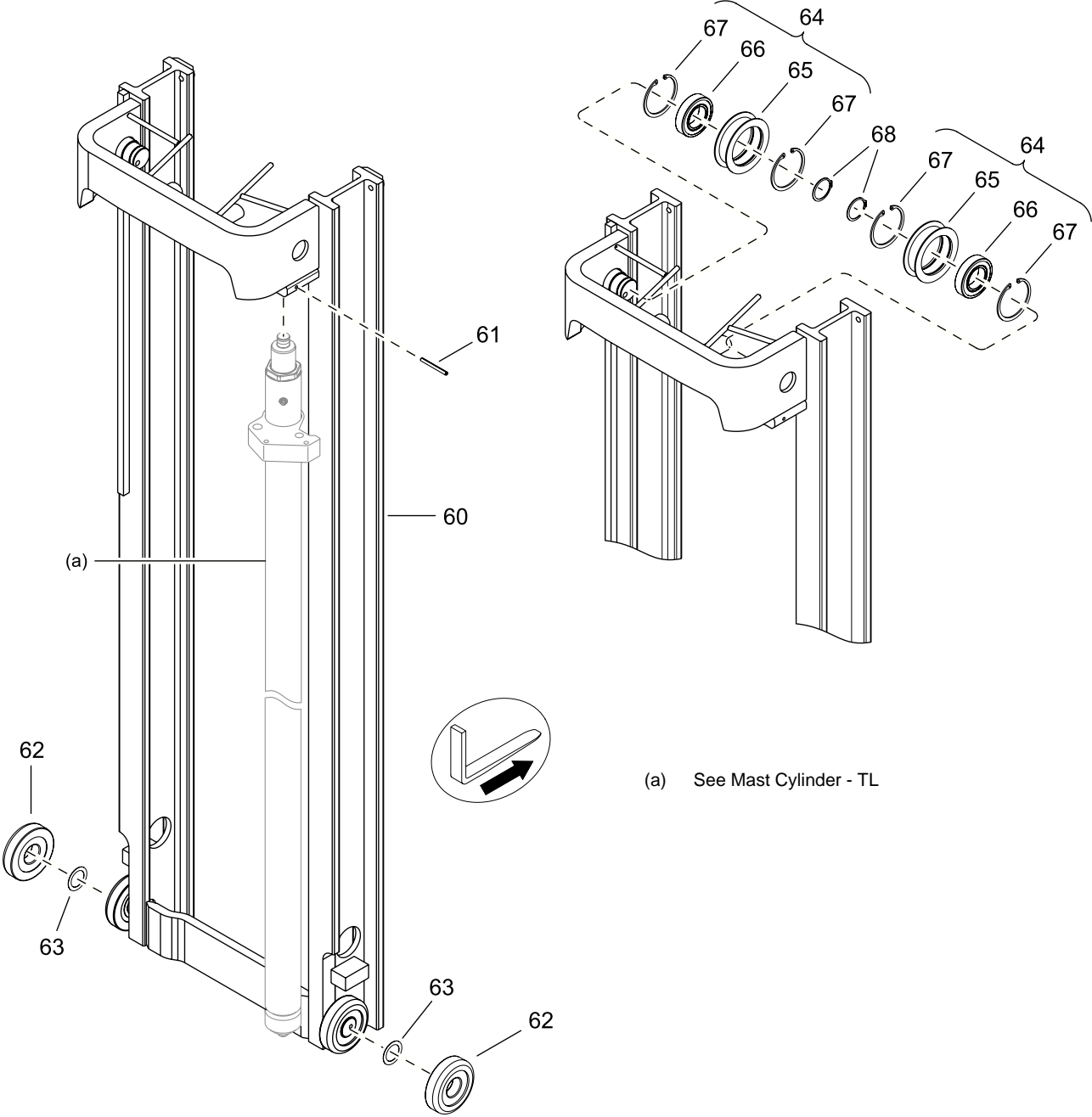


Figure 20575

INDEX	PART NUMBER	PART NAME	NUMBER REQUIRED
60.....	*(1).....	Inner Mast.....	1
61.....	060106-007.....	Roll Pin.....	2
62.....	103284-001.....	Column Roller.....	2
63.....	060030-231.....	Flatwasher.....	AR
64.....	124223-001.....	Pulley Assembly.....	2
65.....	124224-001.....	Chain Pulley.....	1
66.....	065081-045.....	Bearing.....	1
67.....	060009-062.....	Retaining Ring.....	2
68.....	060009-043.....	Retaining Ring.....	2

(1) See Chart 2

\* To select appropriate part number, refer to truck data number.  
The truck data number represents truck features.  
Refer to Introduction.

Chart 2 – Inner Mast Index 60		
Lift Height*		Index 60 Inner Mast
mm	in	
2995	118	143811-211
3200	126	
3300	130	143811-226
3505	138	
3605	142	143811-241
3810	150	

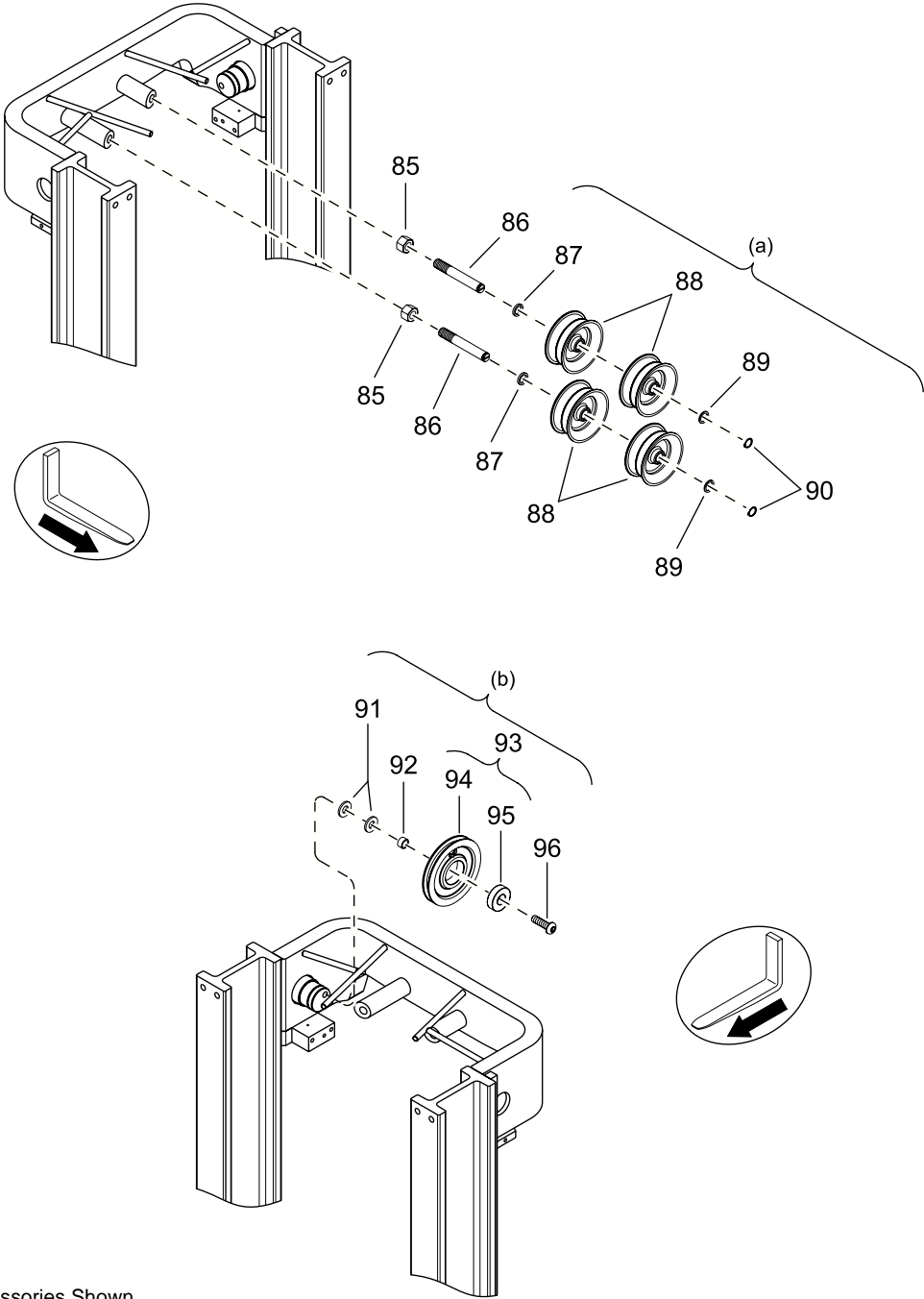
**Always Specify Model, Data & Serial Number**

# LIFTING MECHANISM PARTS

## Mast - TL



### Inner Mast



- (a) Two Accessories Shown
- (b) With 5th Function

Figure 20576

INDEX	PART NUMBER	PART NAME	NUMBER REQUIRED
85 . . . . .	060059-012 . . . . .	Nut . . . . .	2
86 . . . . .	129263-001 . . . . .	Shaft <sup>(4)</sup> . . . . .	2
	129263-002 . . . . .	Shaft <sup>(5)</sup> . . . . .	2
87 . . . . .	060030-168 . . . . .	Flatwasher . . . . .	2
88 . . . . .	105939 . . . . .	Pulley <sup>(4)</sup> . . . . .	2
	105939 . . . . .	Pulley <sup>(5)</sup> . . . . .	4
89 . . . . .	060030-067 . . . . .	Flatwasher . . . . .	2
90 . . . . .	060009-005 . . . . .	Retaining Ring . . . . .	2
91 . . . . .	060030-255 . . . . .	Flatwasher . . . . .	2
92 . . . . .	103418-032 . . . . .	Spacer . . . . .	1
93 . . . . .	074674 . . . . .	Pulley Assembly . . . . .	1
94 . . . . .	074675 . . . . .	Pulley . . . . .	1
95 . . . . .	065081-036 . . . . .	Bearing . . . . .	1
96 . . . . .	060115-033 . . . . .	Screw . . . . .	1

<sup>(4)</sup> Truck With One Accessory

<sup>(5)</sup> Truck With Two Accessories

**Always Specify Model, Data & Serial Number**

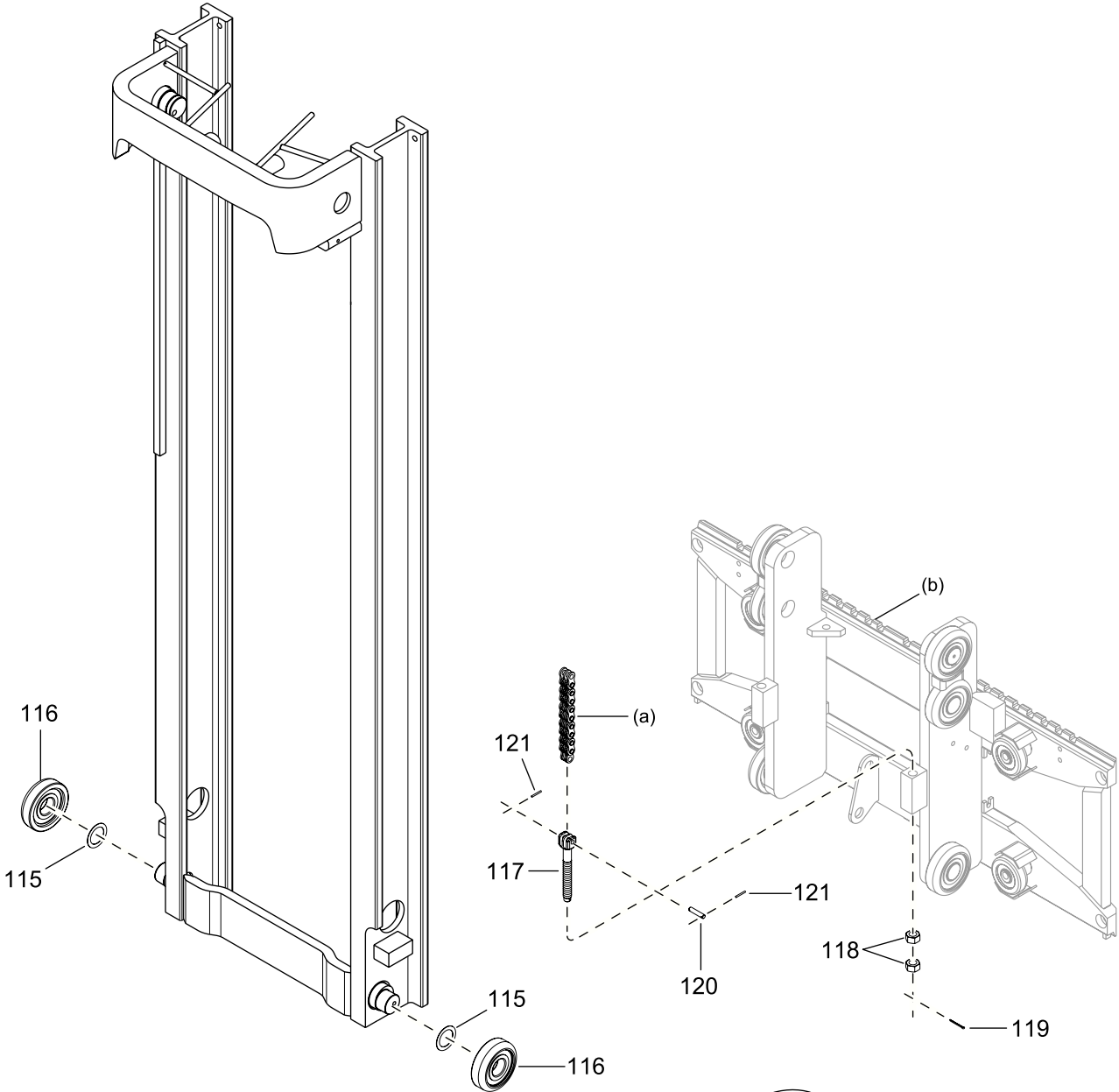


# LIFTING MECHANISM PARTS

## Mast - TL



### Inner Mast



- (a) See Lift Chain - TL
- (b) See Fork Carriage - TL

Figure 20577



# LIFTING MECHANISM PARTS

Mast - TL

---

INDEX	PART NUMBER	PART NAME	NUMBER REQUIRED
115	060030-085	Flatwasher	AR
116	074668-001	Column Roller	2
117	131854-150	Chain Anchor	2
118	060059-022	Nut	4
	061004-004	Thread Locking Adhesive	AR
119	060038-003	Cotter Pin	3
120	042906	Chain Pin	2
121	060000-055	Roll Pin	4

Always Specify Model, Data & Serial Number